

# SIT ON IT 2

design  
SERGIO BELLIN AND DORIGO DESIGN



SitLand®

# THE MODERN CLASSIC

Sit On It 2 is the collection of chairs conceived for those who desire a classic chair in the shape, but innovative in respect to its upholstery and mechanism.



## STANDARD CLASS

From the executive model, to the manager and meeting versions with casters or fixed gliders: Sit On It 2 furnishes different spaces with style and elegance.

## THE MECHANICS OF COMFORT

Sit On It 2 can be equipped with different types of mechanisms, according to the needs. In the top version, Sit On It 2 features a dynamic knee tilt mechanism of new generation lockable in 5 positions and anti-panic system. The tilt tension can be adjusted by a practical side handle, according to user's weight.

## COMFORTABLE AND STURDY

In addition to its sought-for aesthetics, Sit On It 2 is also sturdy and comfortable thanks to the seat and back pad made in flexible, cold injected polyurethane foam, crushproof, CFC free. The frame in high-resistance steel ensures optimal durability in time.

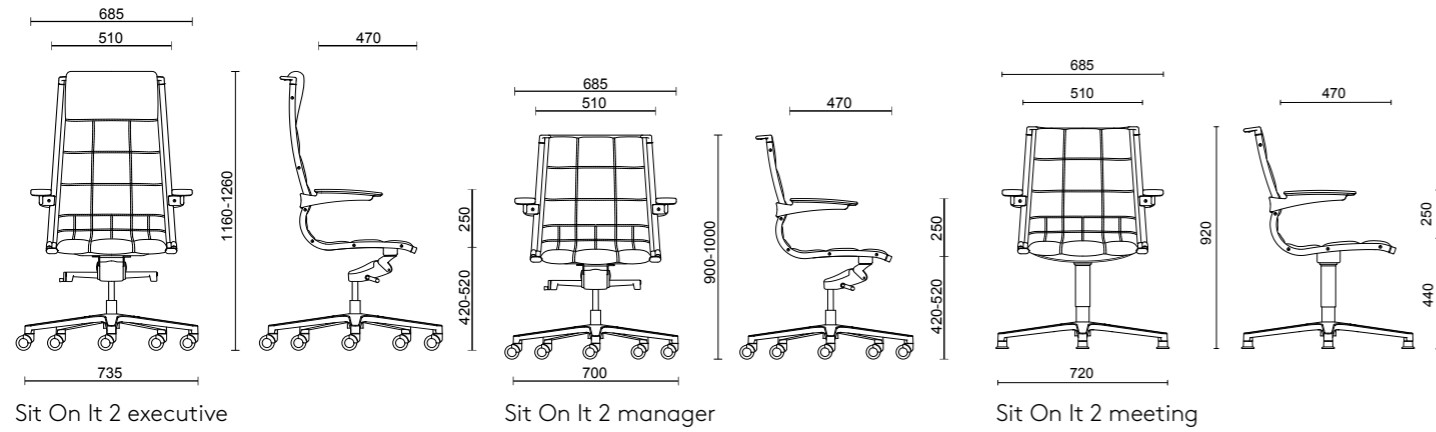
## THE DESIGN METAMORPHOSIS

Sit On It 2 collection stands out for the upholstery stitching that create refined geometries. Sit On It 2 1 features upholsteries defined by elegant small squares sewn individually while Sit On It 2 is characterised by a large and small squares exalting the lumbar curve.

## ELEGANT ALSO IN THE DETAILS

Sit On It 2 outer structure is in shiny and chromed aluminium with an elegant rear handle at the top of the back, to favour movements. The fixed cantilever arms match the structure and can be upholstered with a top in the same material as the armchair. Different types of upholstery, bases and casters offer the possibility to choose the most suitable version for your needs.

## DIMENSIONS AND MODELS



Sit On It 2 executive

Sit On It 2 manager

Sit On It 2 meeting

## MECHANISM

	EXECUTIVE	MANAGER	MEETING
Knee tilting mechanism, lockable in 5 positions, anti-shock system, the tilting tension can be adjusted, according to the user's weight, by a foldable side handle with spring-return.	<input type="checkbox"/>	<input type="checkbox"/>	
Seat height adjustment gas lift.	<input type="checkbox"/>	<input type="checkbox"/>	<input type="checkbox"/>
Fixed seat, not adjustable in height, memory return system.			<input type="checkbox"/>

## BASES



5 star die-cast aluminium base, polished and chromed, ø 735 mm.



5 star die-cast aluminium base, polished, ø 735 mm.



5 star die-cast aluminium base, polished and chromed, ø 700 mm.



5-star die-cast aluminium base, polished, ø 700 mm.



4 star die-cast aluminium base, polished, ø 720 mm.



4-star die-cast aluminium base, polished and chromed, ø 720 mm.

## CASTERS



Self-braking rubber casters ø 50 mm for hard floors, black structure.



Free casters ø 50 mm, black structure.



Self braking casters ø 50 mm, black structure.



Hollow free and rubber casters, ø 65 mm for hard floors, chromed structure.

## COLOURS, MATERIALS, FINISHING \*

### FRAME FINISHING



Polished and chromed steel

### ARMS FINISHING



Polished and chromed steel

### AVAILABLE COLOURS FOR CUSHION AND BACKREST - CATEGORY CX-CI AND IK



Faux-leather fabric  
CI-CX 26 colours



Faux-leather fabric  
IK 13 colours

### AVAILABLE COLOURS FOR THE CUSHION - BLACK SUPPORTING FABRIC



Leather  
TS 01



Faux-leather fabric  
CI 01



Leather  
TS 15



Faux-leather fabric  
CI 02

### AVAILABLE COLOURS FOR THE CUSHION - WHITE SUPPORTING FABRIC



Leather  
TS 07



Faux-leather fabric  
CI 22

### AVAILABLE COLOURS FOR THE CUSHION - BROWN SUPPORTING FABRIC

### AVAILABLE COLOURS FOR THE CUSHION - TAUPE SUPPORTING FABRIC



Leather  
TS 24



Faux-leather fabric  
CI 25

\* Please refer to the Price list in force and to the General sale conditions for the colours and the combinations available for every single product. Colours shown are used for reference only and may look different in reality. Please contact SitLand to receive more information.



It will be possible to configurate our model Sit On It 2 Classic by using pCon.planner program for the design of 2D an 3D environment.

pCon.planner allows to design working solutions in a fast and intuitive way, creating "realistic" images with advanced features, with a considerable saving of time and resources.

It is easy to start using pCon.planner: after downloading the software in the proper page, it is possible to download pCon.catalog, the practical online catalogue of products ready to be set up according to anyone's need, and then include the products in the projects.

For more information on the use of pCon.planner and the access to the products of the SitLand's catalogues, please contact [com@sitland.com](mailto:com@sitland.com)



Sit On It 2 has 5 years warranty. For any further detail, please contact SitLand's customer service at [service@sitland.com](mailto:service@sitland.com)

Please look through our catalogue to see all the different versions available of Sit. It Classic

[http://www.sitland.com/sitland\\_catalogues/sitland\\_general\\_catalogue/sitland\\_general\\_catalogue.html#p=28](http://www.sitland.com/sitland_catalogues/sitland_general_catalogue/sitland_general_catalogue.html#p=28)

or see our Sit.It Classic page into our web site [www.sitland.com](http://www.sitland.com)

Sit On It 2 comply with the italian norm Dgls. 81/2008.

Sit On It 2 comply with the norm UNI EN 1335-3

The work conditions and the protection of the people at work, as far as safety and health are concerned, provide that "the office chairs" are produced according to the ergonomic principles and the functionality requirements contained in the following norms:

- UNI EN 1335-1, dimensions and definitions of the dimensions;
- UNI EN 1335-2, safety requirements
- UNI EN 1335-3, test rprocedures for the safety

The chairs are classified in three different classes according to their specific performance and dimentional characteristics:

- Class A considers the more restrictive dimensional requirements and mostly respect the anthropometric dimensions from 5 to 95% of the population.
- Class B considers the middle requirements among the classes , respecting the minimum requirements requested by D.Lgs. 81/2008.
- Class C considers the minimum requirements.

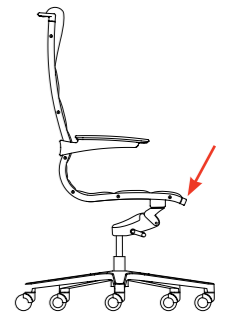
The tests performed are:



on the Sit On It 21 executive with 5 star die-cast aluminium base.

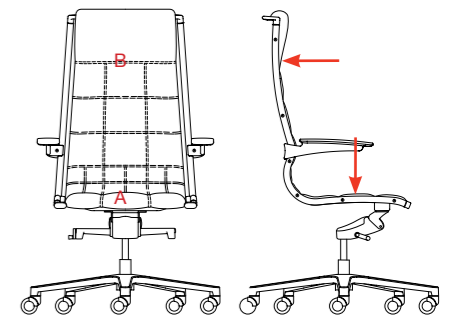
**STATIC LOAD ON THE FRONT OF THE SEAT**

Load: 1.600 N  
Number of cycles: 10



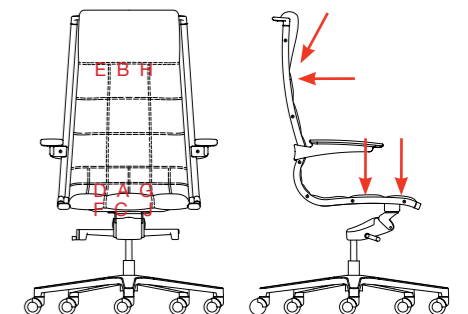
**SEAT AND BACK STATIC LOAD TEST**

Loading point A: 1.600 N  
Loading point B: 560 N  
Number of cycles: 10



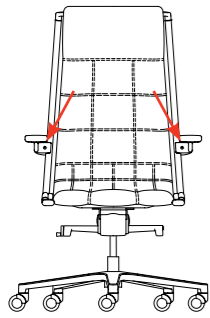
**DURABILITY TESTS ON THE SEAT AND BACK**

Loading point A: 1.500 N  
Number of cycles: 120.000  
Loading point C - B: 1.200 N - 320 N -  
Number of cycles: 80.000  
Loading point J - E: 1.200 N - 320 N -  
Number of cycles: 20.000  
Loading point F - H: 1.200 N - 320 N -  
Number of cycles: 20.000  
Loading point D - G: 1.100 N - 1.100 N -  
Number of cycles: 20.000



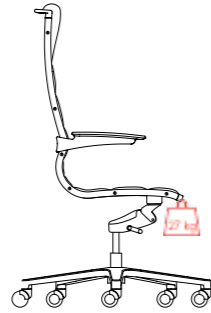
### DURABILITY TESTS OF THE ARMREST

Application point compared to the most forward point of the armrest: 100mm  
Load: 400 N  
Number of cycles: 60.000



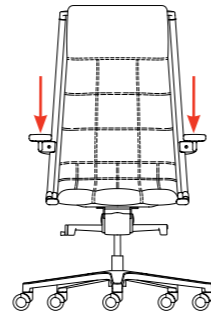
### STABILITY TESTS - FRONT TILTING

Load: 27 kg  
Applied in the furthest point of the seat from the rotation axis



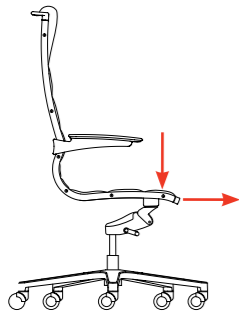
### VERTICAL STATIC LOAD AT THE CENTRE OF THE ARM

AFTER THE STABILITY TESTS  
Application point: center  
Load: 900 N  
Number of cycles: 5



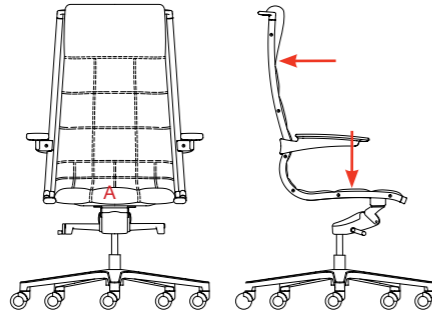
### STABILITY TESTS - TILT TOWARD THE FRONT

Vertical force: 600 N  
Application point from the front edge of the seat: 60 mm  
Load: 20 N  
Loading time: 5 sec



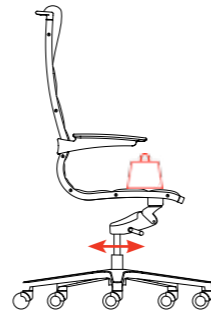
### STABILITY TESTS FOR SWIVELING CHAIRS TILT TOWARD THE BACK FOR CHAIRS WITH FIXED BACK

Vertical force in A: 600 N  
Load in B: 192 N  
Application point: A



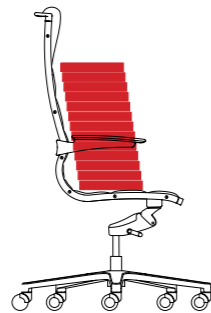
### RESISTANCE TO ROLLING OF THE SEAT WITH NO LOAD

Speed: 50 mm/s  
Measured resistance: 21,8 N  
Minimum allowed resistance: 12 N



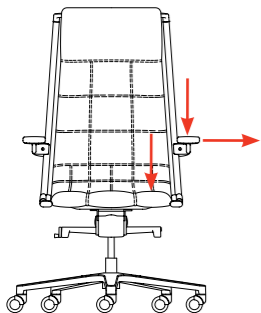
### BACK TILTING FOR SEATS WITH TILTING BACK

Number of discs: 13



### STABILITY TESTS FOR CHAIRS WITHOUT ARMS - LATERAL TILTING

Seat vertical force: 250 N  
Armrest vertical force: 350 N  
Armrest lateral force: 20 N



# SitLand®

SitLand S.p.A.  
Via Cà Silvestre, 52  
36024 Nanto - Vicenza - Italy  
info@sitland.com - www.sitland.com  
Tel. +39 0444 637100

SitLand S.p.A. is certified  
UNI EN ISO 9001: 2008  
UNI EN ISO 14001: 2004



Follow us on

